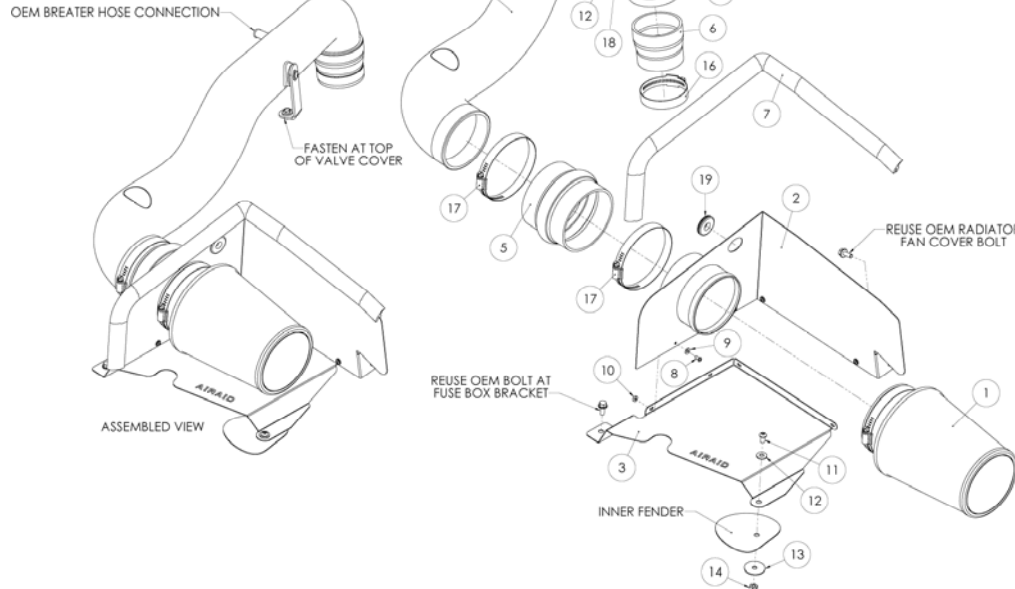


AIR RAID®

INTAKE SYSTEMS



Installation Instructions

Part Number 310-164

1997-2002 Jeep Wrangler (TJ)

2.5L I-4

Packing List:

#1	700-456	Airaid Premium Filter	1
#2	KIT158MAFC	MAF Panel	1
#3	KIT158BPC	Bottom Panel	1
#4	KIT164T	Airaid Intake Tube	1
#5	KITHUMPHS09	Urethane Hump Hose	1
#6	KITRDCR03	Reducer	1
#7	KITWSTRIP02	Weather Strip 27"	1
	KIT164HP	Hardware & Instructions	1
#8	KIT6C31MXPPZ	6-32x5/16" Screw	4
#9	KIT6NWSAPZ	#6 Flat Washer	4
#10	KIT6CNKEPZ	6-32 Keps Nut	4
#11	KIT15DHC3050	1/4 - 20x1/2" Button Head Bolt	2
#12	KIT09FWX019	1/4" Flat Washer	3
#13	KIT09FEZ025125	1/4" Fender Washer	1
#14	KIT25CNNES	1/4-20 Nylock Nut	1
#15	KIT60C120HCS	M6x12mm Hex Bolt	1
#16	KITHS44	#44 Hose Clamp	2
#17	KITHS72	#72 Hose Clamp	2
#18	KIT164B	L-Bracket	1
#19	KITGRMT05	Grommet	1

Tools Required For Installation:

5/32" Allen Wrench
 5/16" & 7/16" Sockets
 10mm & 13mm Sockets
 Ratchet & Extension
 Phillips Screwdriver



1. **Disconnect the negative battery cable.** Loosen the hose clamp that holds the factory intake tube to the resonator.



2. Unlatch the clips on the factory air cleaner lid, next remove the lid, and tube as an assembly.



3. Loosen the clamp that holds the resonator to the throttle body.



4. Disconnect the breather hose from the resonator.



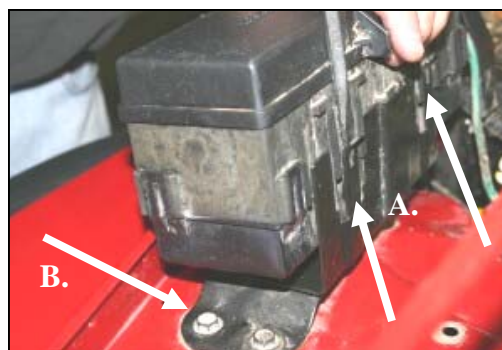
5. Remove the bolt that holds the resonator to the valve cover.



6. Remove the resonator from the vehicle.



7. Remove three bolts from inside the lower air cleaner box and remove it from the vehicle.



8. A.) On the right fender, pry two tabs away from the fuse box, lift it up and set it off to the side. B.) Next, remove and save the outside bolt from the fuse box mount. It will be re-used in step #14.



9. Remove one bolt from the passenger side radiator fan shroud and save it for step #15.



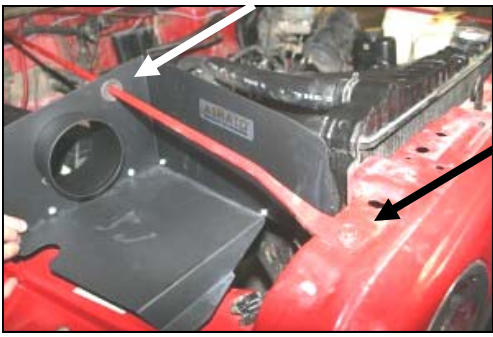
10. Remove and save the bolt from the passenger side radiator support brace. It will be re-used in step #13.



11. Assemble the two Cool Air Dam panels (#2) & (#3) using the four 6-32 screws (#8), #6 flat washers (#9), and nuts (#10), as shown.



12. Slide the rubber grommet (#19) over the radiator support, followed by the assembled CAD. Use caution not to scratch the paint on the support rod.



13. Align the CAD over the mounting holes, and re-install the factory bolt from step #10 in the radiator support. Slide the grommet forward into the hole in the CAD as shown.



14. Re-install the factory bolt from step # 8 thru the CAD, and into the fender. Re-install the fuse box on the factory mount.



15. Install the supplied 1/4" button head bolt (#11), and 1/4" washer (#12), thru the CAD, with the 1/4" fender washer (#13) and nut (#14), on the bottom of the fender. Re-install the factory bolt in the radiator shroud removed in step #9.



16. Install the urethane hump hose (#5) onto the back side of the CAD tube using two #72 hose clamps (#17). Tighten only the hose clamp on the metal tube for now.



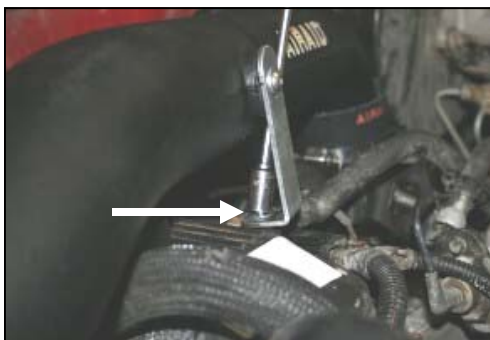
17. Install the reducer (#6) onto the throttle body using two #44 hose clamps (#16). Tighten only the hose clamp on the throttle body for now..



18. Install the L-bracket (#18), onto the Airaid Intake Tube (#4), using one 1/4" button head bolt (#11), and flat washer (#12). Leave the bolt loose for now.



19. A.) Install the large end of the Airaid Intake Tube into the hump hose.
B.) Now slide the small end into the reducer on the throttle body.



20. Install the 6mm bolt (#15), and 1/4" flat washer (#12), thru the L-bracket, and into the valve cover, adjust for fit, and then tighten all hose clamps, and bolts.



21. Re-connect the breather hose to the Airaid Intake Tube.



22. Install the Airaid Premium Filter (#1) onto the CAD tube and tighten the hose clamp. Next, install the weather strip (#7) onto the top of the CAD as shown, starting at the fender, working your way towards the radiator.

23. Double check your work!

Make sure there is no foreign material in the intake path. Make sure all clamps, hoses, bolts, and screws are tight. Periodically check the tightness of all hose clamps, nuts, and bolts.

24. Reconnect the negative battery cable!

Included with your Airaid Intake System is a sticker with a California Air Resources Board (C.A.R.B.) Executive Order (EO) number. This sticker must be placed in plain view inside of the engine compartment. Failure to do so may prevent you from passing a smog inspection.



Thank you for purchasing the Airaid Intake System. Contact Airaid @ (800) 498-6951 8:00 AM - 5:00 PM MST weekdays for questions regarding fit or instructions that are not clear to you. Your Airaid Intake System was carefully inspected and packaged. Check that no parts are missing, or were damaged during shipping. If any parts are missing, contact Airaid. The air filter element is protected from direct exposure to water and debris; care should be taken not to drive through deep water. WATER INGESTION IS THE DRIVERS RESPONSIBILITY! The air filter is reusable and should be cleaned using the Airaid Filter Tune-Up Kit periodically.

Don't Forget Your AIRAID Filter Tune-Up Kit!



P/N 790-551 Aerosol Spray
P/N 790-550 Squeeze Spray

Before!



After!



Instructions Revision
Date: 06/19/07